



CANOPIES, UPDRAFTS, DUCTWORK, EXHAUST AND MAKE UP AIR FANS



NFPA#96

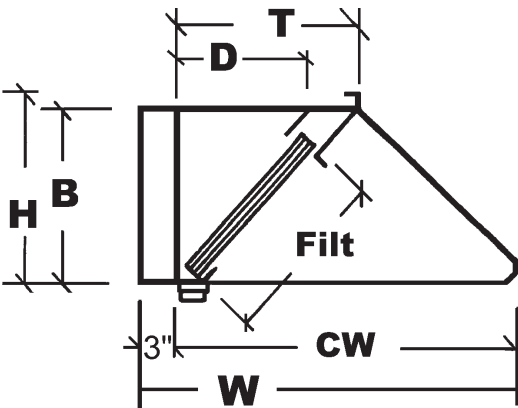
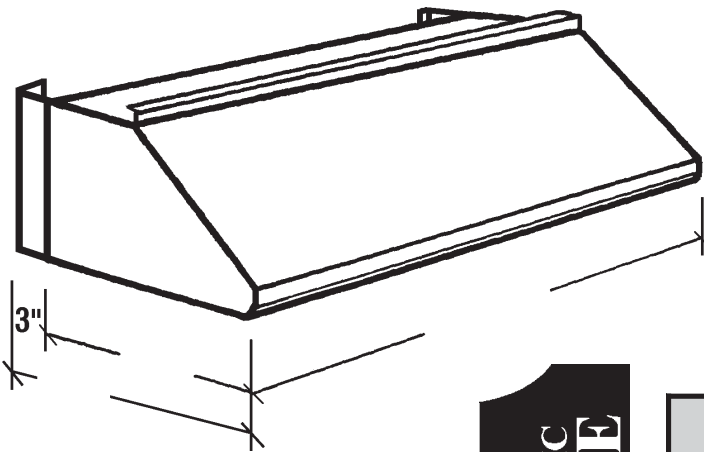
APPROVAL SHEET



Standard 2

24" High Thrift Air "T296" Slant Canopy

With 3" NFPA Air Space



1
ICC/IMC
TYPE

Job Name:		
Dealer:		
Canopy Model	By:	Date:
Fabrication cannot begin until sheet is signed		
Approved by	PO Number	Date

T2 AS	DIMENSIONAL DATA					
"W"	"CW"	"B"	"H"	"T"	"F"	"D"
39"	36"	23½"	25"	12"	20"	9"
45"	42"	23½"	25"	18"	20"	14"
51"	48"	23½"	25"	24"	20"	21"
57"	54"	23½"	25"	30"	25"	21"
63"	60"	23½"	25"	22"	25"	20"

Specifications

- T296S0 Series Thrift Air Exhaust Canopy:** Sturdi-Bilt Canopy constructed of 20 Gauge Stainless Steel #3 polish on all exposed surfaces. Balance 18 Gauge Aluminized Steel. All Externally Welded Seams, Code #96 Construction.
- Includes a full compliment of 20" wide U.L. Listed Aluminum Baffle Filters, Pitched Rear Grease Gutter, Grease Drain and removable Grease Cup. Middle and Rear Hanger Brackets for threaded rod. NSF Listed, Built to NFPA #96, and International Mechanical Code Type I Hood Standards.
- **Air Space:** 3" NFPA Air Space at Rear of Canopy, same material as hood
- T296A8 Series Thrift Air Exhaust Canopy:** Same only all 18 Gauge Aluminized Steel Painted Gray where exposed.
- Vapor Proof Canopy Light:** Sturdi-Bilt Fireguard Canopy Light, U.L. and NSF Listed 100 Watt Incandescent Vapor and Grease proof Canopy Light. Included Plastic Coated Lime Glass Globe, Canopy Light Fixture, Mounting Plate, External Junction Box, not prewired.
- UL 710 and Canada CSA C22.2 No 113.** Canopy Labeled and Listed



Can/CSA C22.2