



CANOPIES, UPDRAFTS, DUCTWORK, EXHAUST AND MAKE UP AIR FANS



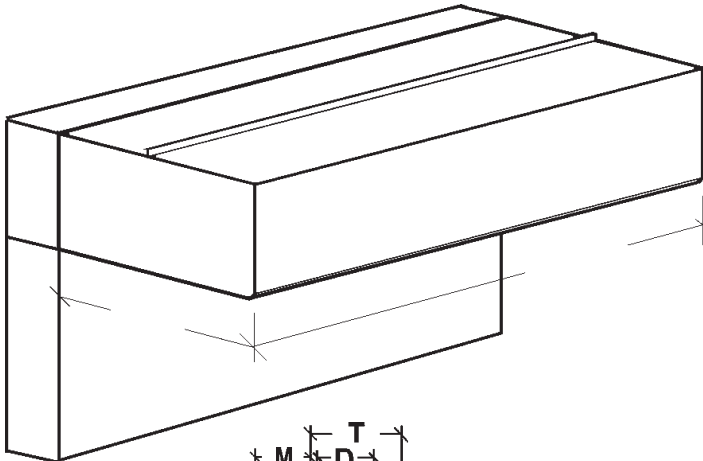
**APPROVAL SHEET**



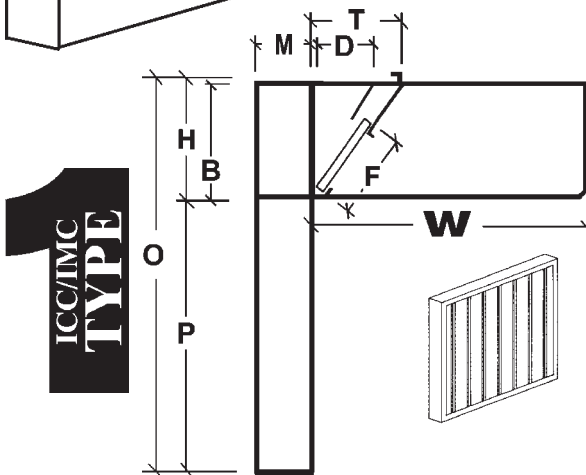
Standard 2

# Thrift Air "TB96" Box Style Canopy

With Rear Tempered Make Up Air Wall Paneling



Job Name:		
Dealer:		
Canopy Model	By:	Date:
<b>Fabrication cannot begin until sheet is signed</b>		
Approved by	PO Number	Date



TB RM	DIMENSIONAL DATA								
	"W"	"B"	"H"	"T"	"F"	"D"	"M"	"P"	"O"
	36"	16½"	18"	19"	16"	14"			
	42"	16½"	18"	25"	16"	14"			
	48"	16½"	18"	19"	16"	14"			
	54"	16½"	18"	25"	16"	14"			
	60"	16½"	18"	30"	16"	18"			

**1**  
ICC/MC  
TYPE

## Specifications

**TB96S0 Series Thrift Air Box Style Exhaust Canopy:** Sturdi-Bilt Canopy constructed of 20 Gauge Stainless Steel #3 polish on all exposed surfaces. Balance 18 Gauge Aluminized Steel. All Externally Welded Seams, Code #96 Construction. Includes a full compliment of 20" wide U.L. Listed Aluminum Baffle Filters, Pitched Rear Grease Gutter, Grease Drain and removable Grease Cup. Front and Rear Hanger Brackets for threaded rod. NSF Listed, Built to NFPA #96, and International Mechanical Code Type I Hood Standards.

**Rear Make Up Air Plenum:** Distributes Tempered air behind the canopy in an rear make up air plenum.

**TB96A8 Series Thrift Air Box Style Exhaust Canopy:** Sturdi-Bilt Canopy same as above only constructed of 18 Gauge Aluminized Steel. All Exposed surfaces painted hammertone Gray.

**Vapor Proof Canopy Light:** Sturdi-Bilt Fireguard Canopy Light, U.L. and NSF Listed 100 Watt Incandescent Vapor and Grease proof Canopy Light. Included Plastic Coated Lime Glass Globe, Canopy Light Fixture, Mounting Plate, External Junction Box, not prewired.

**UL 710 & CSA C22.2 No 113** **UL 710**  
Canopy Labeled and Listed



Can/CSA C22.2

