



CANOPIES, UPDRAFTS, DUCTWORK, EXHAUST AND MAKE UP AIR FANS



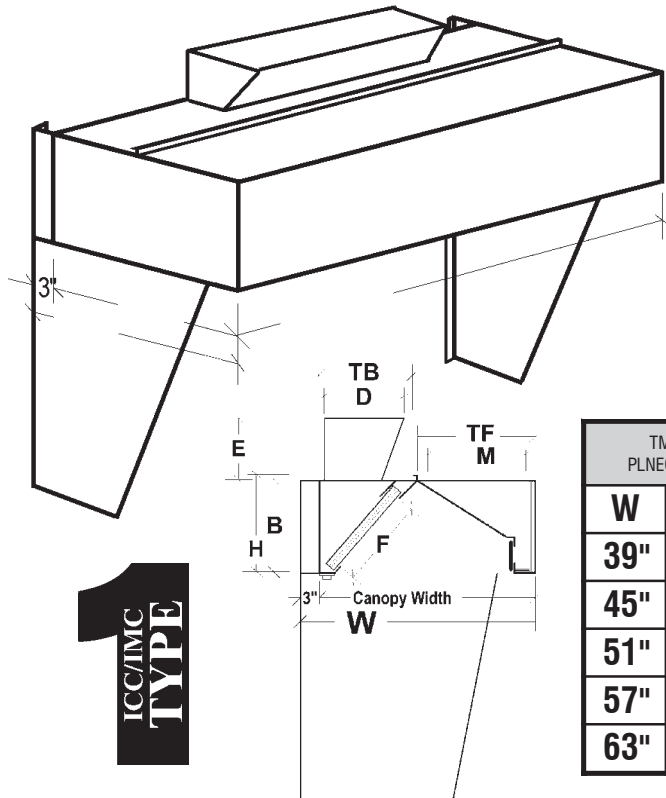
APPROVAL SHEET



Standard 2

Thrift Air "TM96" Make Up Air Canopy

With Exhaust Plenum, 3" NFPA Air Space & End Curtains



Job Name:		
Dealer:		
Canopy Model	By:	Date:
Fabrication cannot begin until sheet is signed		
Approved by	PO Number	Date

TM PLNECAS		DIMENSIONAL DATA							
W	CW	B	H	TB	TF	F	M	D	E
39"	36"	16½"	18"	20"	14"	16"	12"		
45"	42"	16½"	18"	26"	14"	16"	12"		
51"	48"	16½"	18"	20"	26"	16"	24"		
57"	54"	16½"	18"	26"	26"	16"	24"		
63"	60"	16½"	18"	26"	26"	16"	24"		

Specifications

TM96S0 Series Thrift Air Make Up Air Canopy: Sturdi-Bilt Compensating Canopy for air conditioned kitchens and kitchens with low ceilings constructed of 20 Gauge Stainless Steel #3 polish on all exposed surfaces. Balance 18 Gauge Aluminized Steel. All Externally Welded Seams, Code #96 Construction. Insulated Make Up Air Plenum with full length diffusers. Includes a full compliment of 20" wide U.L. Listed Aluminum Baffle Filters, Pitched Rear Grease Gutter, Grease Drain and removable Grease Cup. Front and Rear Hanger Brackets. NSF Listed, Built to NFPA #96 and International Mechanical Code Type 1 Hood Standards.

Exhaust Plenum: Externally welded NFPA#96 16 Gauge Aluminized Steel Plenum with two welded canopy connections which allows one exhaust duct to serve hood.

End Curtains: Light Gauge S/S End Curtains to improve efficiency and lower required CFM

Air Space: NFPA 3" Air Space on (back) (left) (right) for use on fire rated drywall on steel stud walls

TM96A8 Series Thrift Air Make Up Air Exhaust Canopy: Sturdi-Bilt Canopy same as above only constructed of 18 Gauge Aluminized Steel. All Exposed surfaces painted hammertone Gray.

Vapor Proof Canopy Light: Sturdi-Bilt Fireguard Canopy Light, U.L. and NSF Listed 100 Watt Incandescent Vapor and Grease proof Canopy Light. Included Plastic Coated Lime Glass Globe, Canopy Light Fixture, Mounting Plate, Junction Box, prewired to External Junction Box.

