



CANOPIES, UPDRAFTS, DUCTWORK, EXHAUST AND MAKE UP AIR FANS



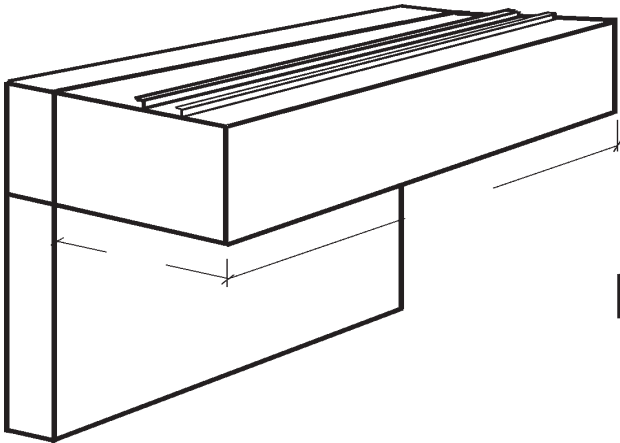
APPROVAL SHEET



Standard 2

# Thrift Air T2M96 24" Hi Make Up Air Canopy

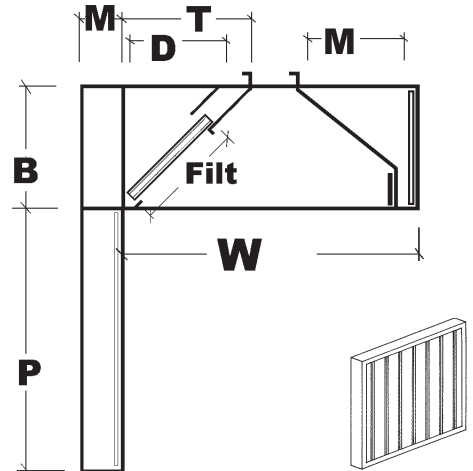
## With Rear Insulated Untempered Make Up Air Plenum



ICCMC TYPE I

Job Name:		
Dealer:		
Canopy Model	By:	Date:
<b>Fabrication cannot begin until sheet is signed</b>		
Approved by	PO Number	Date

T2M RMUA	DIMENSIONAL DATA								
W	B	H	T	D	F	M	MP	P	O
36"	24"	25½"							
42"	24"	25½"							
48"	24"	25½"	18"	16"	20"	12"			
54"	24"	25½"	18"	16"	20"	12"			



### Specifications

- **T2M96S0 Series 24" High Thrift Air Make Up Air Canopy:** Sturdi-Bilt Compensating Canopy for air conditioned kitchens and kitchens with low ceilings constructed of 20 Gauge Stainless Steel #3 polish on all exposed surfaces. Balance 18 Gauge Aluminized Steel. All Externally Welded Seams, Code #96 Construction. Insulated Make Up Air Plenum with full length diffusers. Includes a full compliment of 20" wide U.L. Listed Aluminum Baffle Filters, Pitched Rear Grease Gutter, Grease Drain and removable Grease Cup. Front and Rear Hanger Brackets. NSF Listed, Built to NFPA #96 and International Mechanical Code Type I Hood Standards.
- **Rear Make Up Air Plenum:** Distributes Untempered Make Up Air behind the Canopy in an Insulated S/S Where Shows Rear Make Up Air Plenum.
- **T2M96A8 Series 24" High Thrift Air Make Up Air Exhaust Canopy:** Sturdi-Bilt Canopy same as above only constructed of 18 Gauge Aluminized Steel. All Exposed surfaces painted hammertone Gray.
- **Vapor Proof Canopy Light:** Sturdi-Bilt Fireguard Canopy Light, U.L. and NSF Listed 100 Watt Incandescent Vapor and Grease proof Canopy Light. Included Plastic Coated Lime Glass Globe, Canopy Light Fixture, Mounting Plate, Junction Box, prewired to External Junction Box.
- **S/S Wall Paneling:** 20 Gauge S/S Wall Paneling with Aluminum Trim. \_\_\_\_\_" Hi
- **UL 710** LISTED 23LV
- Canopy Labeled and Listed EXHAUST HOOD WITHOUT EXHAUST DAMPER