



CANOPIES, UPDRAFTS, DUCTWORK, EXHAUST AND MAKE UP AIR FANS

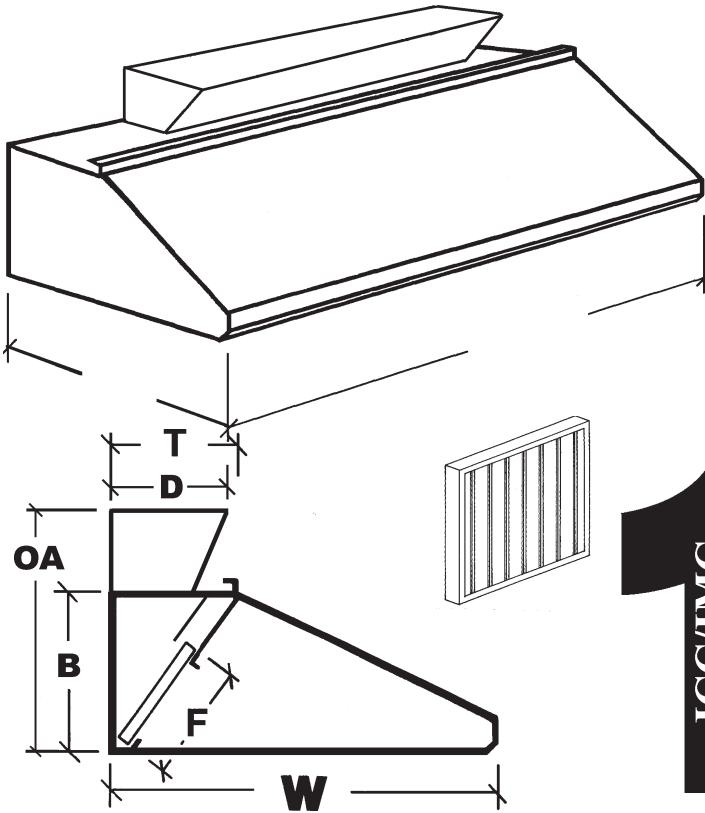


APPROVAL SHEET



Standard 2

# Thrift Air "T96" Slant Canopy With Duct Plenum



Job Name:		
Dealer:		
Canopy Model	By:	Date:
<b>Fabrication cannot begin until sheet is signed</b>		
Approved by	PO Number	Date

Exit Duct Size: \_\_\_" x \_\_\_"



T PLN	DIMENSIONAL DATA				
"W"	"B"	"OA"	"T"	"F"	"D"
36"	16"		10"	16"	
42"	16"		10"	16"	
48"	16"		13"	16"	
54"	16"		13"	16"	
60"	16"		13"	16"	

## Specifications

**T96S0 Series Thrift Air Exhaust Canopy:** Sturdi-Bilt Canopy constructed of 20 Gauge Stainless Steel #3 polish on all exposed surfaces. Balance 18 Gauge Aluminized Steel. All Externally Welded Seams, Code #96 Construction. Includes a full compliment of 20" wide U.L. Listed Heavy Duty Galvanized Steel Baffle Filters, Pitched Rear Grease Gutter, Grease Drain and removable Grease Cup. Front and Rear Hanger Brackets for threaded rod. NSF Listed, Built to NFPA #96, and International Mechanical Code Type I Hood Standards.

**Exhaust Plenum:** Externally welded NFPA#96 16 Gauge Aluminized Steel Plenum with two welded canopy connections which allows one exhaust duct to serve hood.

**T96A8 Series Thrift Air Exhaust Canopy:** Same only all 18 Gauge Aluminized Steel Painted Gray where exposed.

**S/S Wall Paneling:** 20 Gauge S/S Wall Paneling with Aluminum Trim. \_\_\_\_\_" Hi

**Vapor Proof Canopy Light:** Sturdi-Bilt Fireguard Canopy Light, U.L. and NSF Listed 100 Watt Incandescent Vapor and Grease proof Canopy Light. Included Plastic Coated Lime Glass Globe, Canopy Light Fixture, Mounting Plate, External Junction Box, not prewired.

**UL 710**  
Canopy Labeled and Listed

**UL 710**



EXHAUST HOOD WITHOUT  
EXHAUST DAMPER

