



CANOPIES, UPDRAFTS, DUCTWORK, EXHAUST AND MAKE UP AIR FANS



NFPA#96

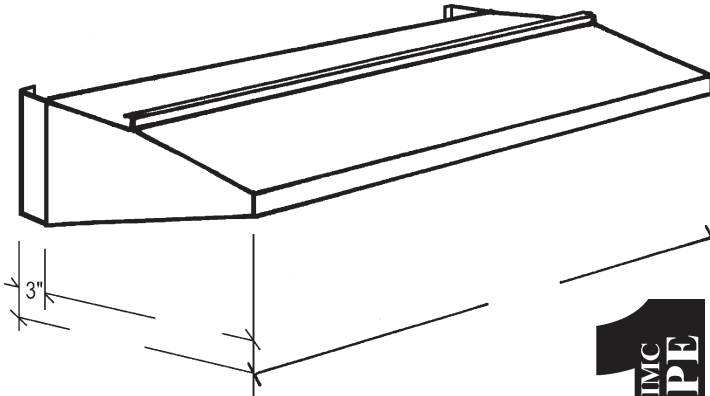
APPROVAL
SHEET



Standard 2

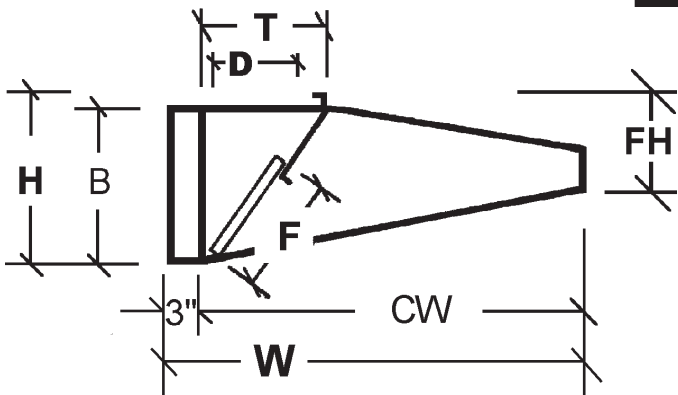
Thrift Air "TL96" Low Ceiling Canopy

With 3" NFPA Air Space



1
ICC/IMC
TYPE

Job Name:		
Dealer:		
Canopy Model	By:	Date:
Fabrication cannot begin until sheet is signed		
Approved by	PO Number	Date



TL AS	DIMENSIONAL DATA						
"W"	"CW"	"B"	"H"	"T"	"F"	"FH"	"D"
39"	36"	16"	17½"	15"	16"	9"	10"
45"	42"	16"	17½"	15"	16"	9"	10"
51"	48"	16"	17½"	20"	16"	9"	12"
57"	54"	16"	17½"	20"	16"	9"	13"
63"	60"	16"	17½"	20"	16"	9"	12"

Specifications

- TL96S0 Series Thrift Air Low Ceiling Exhaust Canopy:** Sturdi-Bilt Canopy constructed of 20 Gauge Stainless Steel #3 polish on all exposed surfaces. Balance 18 Gauge Aluminized Steel. Designed for Kitchens with low ceilings, only 7ft3" to top of canopy after hanging at 6ft6". All Externally Welded Seams, Code #96 Construction. Includes a full compliment of 20" wide U.L. Listed Aluminum Baffle Filters, Pitched Rear Grease Gutter, Grease Drain and removable Grease Cup. Front and Rear Hanger Brackets for threaded rod. NSF Listed, Built to NFPA #96 and, International Mechanical Code Type I Hood Standards.
- Air Space:** 3" NFPA Air Space at Rear of Canopy for 3" clearance to limited combustible material, same material as hood.
- TL9A8 Series Thrift Air Low Ceiling Exhaust Canopy:** Sturdi-Bilt Canopy same as above only constructed of 18 Gauge Aluminized Steel. All Exposed surfaces painted hammertone Gray.
- S/S Wall Paneling:** 20 Gauge S/S Wall Paneling with Aluminum Trim. _____" Hi
- Vapor Proof Canopy Light:** Sturdi-Bilt Fireguard Canopy Light, U.L. and NSF Listed 100 Watt Inca descent Vapor and Grease proof Canopy Light. Included Plastic Coated Lime Glass Globe, Canopy Light Fixture, Mounting Plate, External Junction Box, not prewired.

