



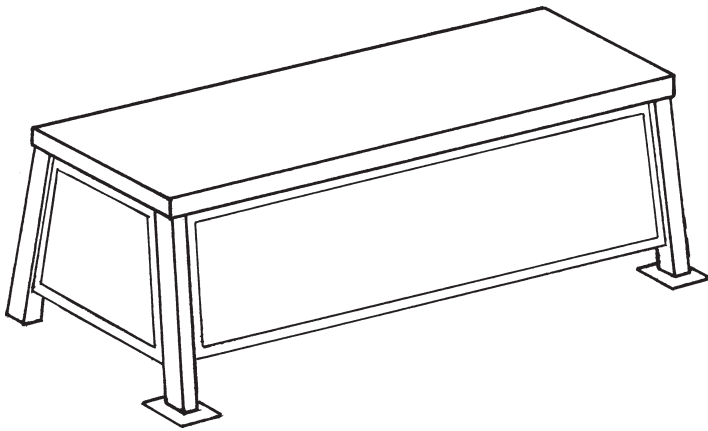
8132 Puritan Avenue, Detroit, Michigan, 48238
Phone Toll Free - 1-800-521-2895
Fax Toll Free 1-800-444-2895

APPROVAL SHEET



Standard 2

Counter Protector



Job Name:		
Dealer:		
P.O. #:	By:	Date:
Fabrication cannot begin until sheet is signed		
Approved by		Date

Specifications

- 1" Square Tubular Uprights and Framework
- 1/4" Tempered Glass Shelves
- 16" Front to Back, " High
- S/S Serving Shelf

Options:
