



8132 Puritan Avenue, Detroit, Michigan, 48238
 Phone Toll Free - 1-800-521-2895
 Fax Toll Free 1-800-444-2895

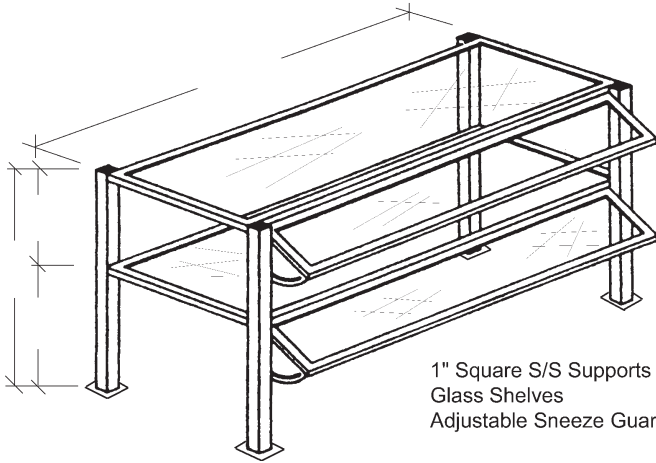
APPROVAL SHEET



Standard 2

Glass Display Shelves

Glass Display Shelves



1" Square S/S Supports
 Glass Shelves
 Adjustable Sneeze Guards

Job Name:		
Dealer:		
P.O. #:	By:	Date:
Fabrication cannot begin until sheet is signed		
Approved by		Date

Specifications

- 1" Square Tubular Uprights and Cross Pieces Welded and Polished
- 1/4" Tempered Glass Shelves
- (2) Adjustable Tempered Glass Sneeze Guards