



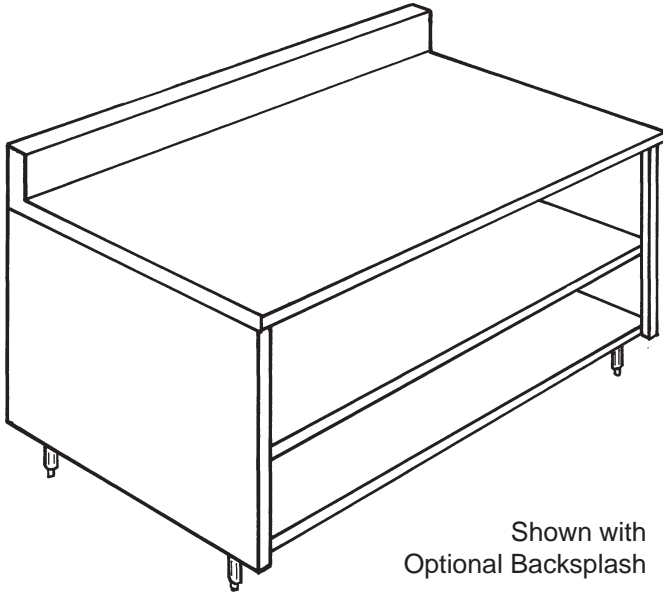
8132 Puritan Avenue, Detroit, Michigan, 48238  
 Phone Toll Free - 1-800-521-2895  
 Fax Toll Free 1-800-444-2895

# APPROVAL SHEET



Standard 2

## Enclosed Base Work Table



Shown with  
Optional Backplash

Job Name:		
Dealer:		
P.O. #:	By:	Date:
<b>Fabrication cannot begin until sheet is signed</b>		
Approved by		Date

### Specifications

- Sturdi-Bilt Deluxe Utility Cabinet constructed of 18% Nickel, 8% Chrome non magnetic Stainless Steel #3 Polish Top of 14 Gauge S/S turned down all four sides. Fully Enclosed Stainless Steel Back, 18 Gauge S/S Finished Ends. Stainless Steel reinforced bottom and intermediate shelves Legs constructed of Stainless Steel Tubing and White Metal Adjustable Bullet Feet. Cabinet Length by 30" Wide x 36" High
- Special Width: \_\_\_\_\_" Wide in lieu of 30"
- Special Height: \_\_\_\_\_" High in lieu of 36"
- 2" Turn Up at Rear
- 4" x 1½" Integral Backplash at Rear
- Cabinet Base constructed of 18 gauge Aluminized Steel with Gray painted Ends
- Sliding / Hinged Double Pan Removable Doors
- Hand / Utility Sink with Removable Stainless Steel Front Panel (*Fauct by Others*)
- 
- Opening for Roll Warmer
- \_\_\_\_\_
- \_\_\_\_\_