



**STURDI-BILT**  
**RESTAURANT EQUIPMENT, INC.**

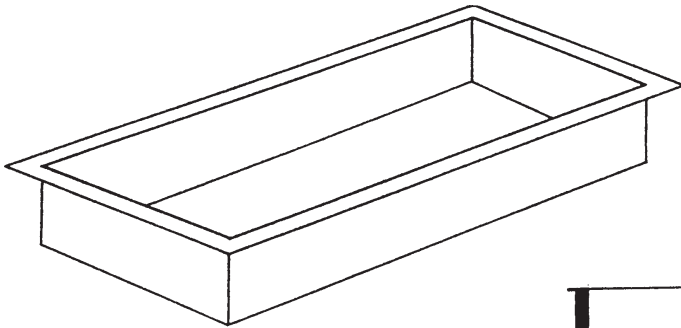
8132 Puritan Avenue, Detroit, Michigan, 48238  
 Phone Toll Free - 1-800-521-2895  
 Fax Toll Free 1-800-444-2895

# APPROVAL SHEET



Standard 2

## Drop In Cold Pan



Job Name:		
Dealer:		
PO. #:	By:	Date:
<b>Fabrication cannot begin until sheet is signed</b>		
Approved by		Date

### Specifications

Sturdi-Bilt Ice Pan Constructed out of 18 Gauge Type 304 18% Chrome, 8 % Nickel Stainless Steel, Interior with drain, aluminized Steel outer coating, 1" foam insulation. 1" Lip

**Size:**

\_\_\_\_\_ " Long x \_\_\_\_\_ " Wide x \_\_\_\_\_ " Deep Inside  
 \_\_\_\_\_ " Long x \_\_\_\_\_ " Wide x \_\_\_\_\_ " Deep Overall

**Options**

- S/S Perforated False Bottom
- 16 Gauge S/S Construction in lieu of 18 Gauge
- \_\_\_\_\_
- \_\_\_\_\_