



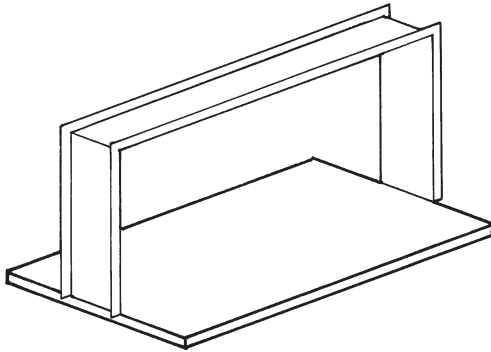
8132 Puritan Avenue, Detroit, Michigan, 48238  
 Phone Toll Free - 1-800-521-2895  
 Fax Toll Free 1-800-444-2895

# APPROVAL SHEET



Standard 2

## Pass Thru Windows



Job Name:		
Dealer:		
PO. #:	By:	Date:
<b>Fabrication cannot begin until sheet is signed</b>		
Approved by		Date

### Standard Features

- 18 Gauge S/S Pass Shelf
- Steel Support Channels
- Galvanized Sanitary Bottom
- Mounting Angles Included
- Telescopic 20 Gauge S/S Frame