



STURDI-BILT
RESTAURANT EQUIPMENT, INC.

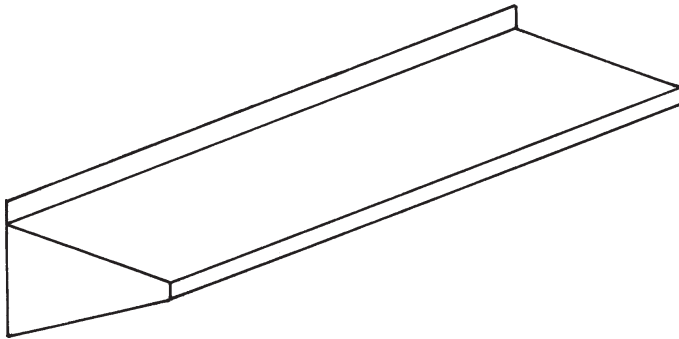
8132 Puritan Avenue, Detroit, Michigan, 48238
 Phone Toll Free - 1-800-521-2895
 Fax Toll Free 1-800-444-2895

APPROVAL SHEET



Standard 2

Wall Shelves



Job Name:		
Dealer:		
PO. #:	By:	Date:
Fabrication cannot begin until sheet is signed		
Approved by		Date

Specifications

Sturdi-Bilt Wall Shelving Constructed out of 18 Gauge Type 304 18% Chrome, 8 % Nickel Stainless Steel, with wall brackets, and turn up at rear.

Provide as Follows

- _____ Shelves _____ Ft Long x _____" Wide
- _____ Shelves _____ Ft Long x _____" Wide
- _____ Shelves _____ Ft Long x _____" Wide
- _____ Shelves _____ Ft Long x _____" Wide
- _____ Shelves _____ Ft Long x _____" Wide
- _____ Shelves _____ Ft Long x _____" Wide

Options

- Turn Up at Ends
- 16 Gauge S/S Construction in lieu of 18 Gauge
- _____
- _____
- _____
- _____