



CANOPIES, UPDRAFTS, DUCTWORK, EXHAUST AND MAKE UP AIR FANS



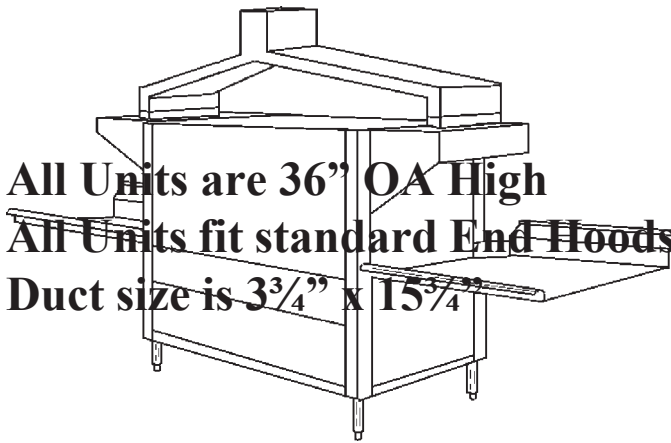
APPROVAL SHEET



Standard 2

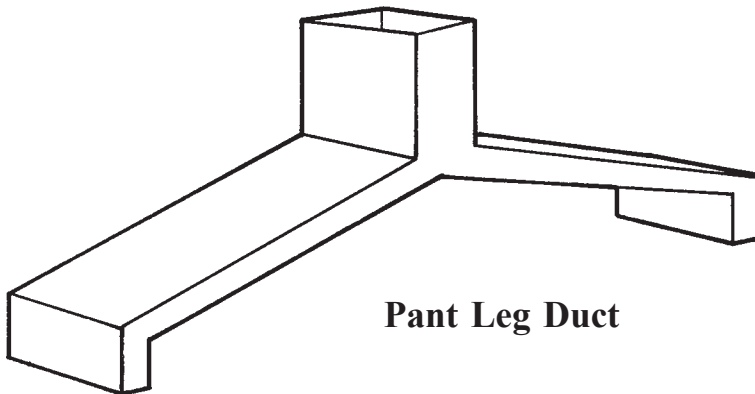
Pant Leg Ducts

for Conveyor Type Dishwashers

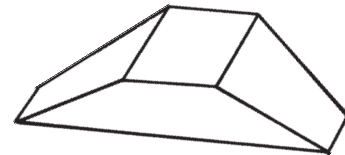


All Units are 36" OA High
 All Units fit standard End Hoods
 Duct size is 3³/₄" x 15³/₄"

Job Name:			
Dealer:			
Dishwasher Model	Size	Date:	By:
Fabrication cannot begin until sheet is signed			
Approved by		Date	PO Number



Pant Leg Duct



Built in Transition to square duct

Specifications

Sturdi-Bilt Pant Leg Duct Constructed of all 18 gauge 300 Series 18/8 Nickel Chrome Stainless Steel. Seamlessly welded Construction. Front and Sides polished. NSF Listed. Built to International Mechanical Code Type II Duct Construction. Custom built to fit particular conveyor dishwasher make and model. Requires End Vent Hoods on Dishwasher Complete with Hanging Instructions.

NOTE: These units do not fit "Stero" brand machines, or other dishwashers with high control panels above the dishwasher.

- 16 Gauge Stainless Steel, deluxe polish
- Built in Transition to square duct