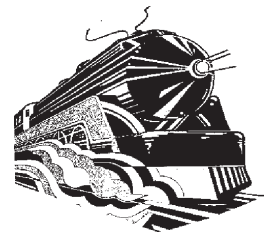




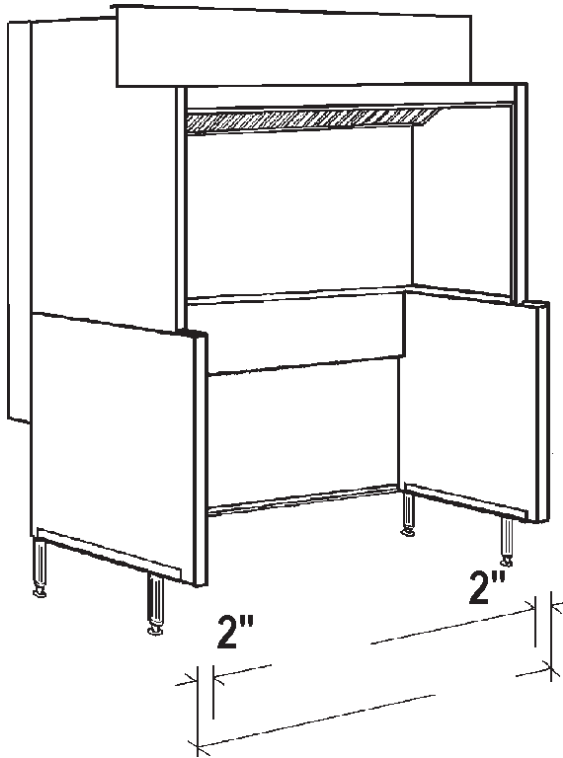
CANOPIES, UPDRAFTS, DUCTWORK, EXHAUST AND MAKE UP AIR FANS

APPROVAL SHEET



Economy Plate Shelf Open Updraft

Rear Untempered Make Up Air



Job Name:		
Dealer:		
Updraft Model	By:	Date:
Fabrication cannot begin until sheet is signed		
Approved by	PO Number	Date



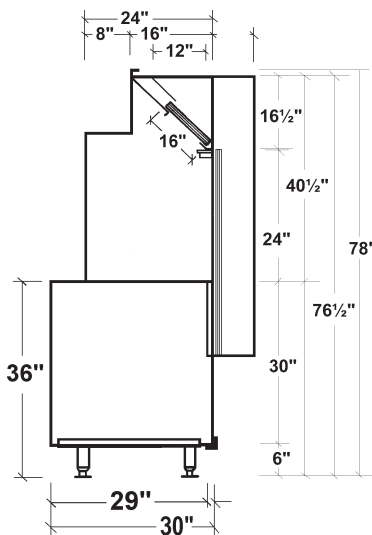
Standard 2



NFPA#96



Options



Specifications

- **Updraft Superstructure:** constructed of Stainless Steel on all exposed surfaces.
- Ventilation Section constructed of 20 Gauge Stainless Steel and 18 Gauge Aluminized Steel.
- All seams externally welded, Code #96 construction. Stainless Steel Plate Shelf, Back Panel and Top Ends. Includes a full complement of 20" wide U.L. Listed Heavy Duty Galvanized Steel Baffle Filters, pitched grease gutter, grease drain, and removable S/S covered grease cup.
- NSF Listed. Built to NFPA, Michigan & International Mechanical Code Specifications for Type I Low Side Wall Canopies.
- **Updraft Equipment Base:** double wall ends for easy cleaning. Interior Ends constructed of Stainless Steel. Stainless Steel Lower Rear Panel. Finished Painted Hammertone Gray Exterior Ends. Removable 6" High Legs with NSF Front Flanged adjustable Bullet Feet. NSF Listed.
- **Rear Make Up Air:** Untempered make up air introduced behind Updraft in insulated make up air plenum
- **Aluminized Steel Model:** constructed the same as above, only with Aluminized Steel Interior Base Ends and Aluminized Steel Lower Rear Panel.
- **Maple Cutting Board:** Laminated Hard Maple, 8" wide, mounted on Stainless Steel brackets. Board easily removable for cleaning.
- **Stainless Steel Ends:** supplied with Stainless Steel Exterior Left/Right Base Ends.